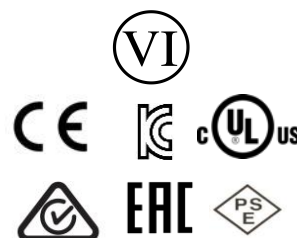




10W USB Interchangeable Plug* Adapter



*Plugs sold separately

Features

- USB Socket
- Field Changeable AC Plugs
- <75mW Power Consumption with no load at 230VAC 50Hz
- Low Leakage Current
- DOE Level VI Compliance
- EU COC V5 Tier 2 Compliance
- Voltage Drop Compensation

Applications

- Personal Electronics
- Peripherals
- Portable Equipment
- Networking

Safety Approvals

- cUL/ULs 60950-1
- RCM AS/NZS 60950-1
- KC/KCC
- CE 60950-1
- PSE
- EAC

Mechanical Characteristics

- Length: 75.75mm (2.98in)
- Width: 45.5mm (1.79in)
- Height: 33.08mm (1.30in)
- Weight: 52g (1.83oz)

Output Specifications

Model	DC Output Voltage	Load		Ripple ⁽¹⁾ P-P (max.)	Regulation Line & Load
		Min.	Max.		
PSAF10R-050QA-R	5V	0A	2A	150mV	±5%

1. Measuring is done by 20MHz bandwidth oscilloscope and terminated each output with a 1uF low ESR aluminum electrolytic capacitor and a 0.1uF ceramic capacitor in parallel

Phihong is not responsible for any error, and reserves the right to make changes without notice. Please visit our website at www.phihong.com for the most up-to-date specifications and contact information.

INPUT:**AC Input Voltage Rating**

100 to 240V AC

AC Input Voltage Range

90 to 264V AC

AC Input Frequency

47 to 63Hz

Input Current

0.28A (RMS) max for 115Vac/60Hz

0.16A (RMS) max for 230Vac/50Hz

Leakage Current

20uA Max @254Vac/50Hz

Inrush Current

60A max at 230VAC/50Hz

(Cold start at ambient 25°C)

OUTPUT:**Output Power**

10W

Efficiency

DOE Level VI and CoC V5 tier 2

ENVIRONMENTAL:**Temperature**

Operation 0 to +40°C

Non-operation -20 to +70°C

Relative Humidity 90% RH Max

Emissions

Complies with FCC Class B

Complies with EN55032 Class B

Immunity

ESD: EN 61000-4-2

Air ± 15KV

Contact ± 8KV

Surge: EN 61000-4-5

Line to Line 1KV

Line or Neutral to PE 2KV

RS : EN61000-4-3. 3V/m

EFT : EN61000-4-4. 1KV

Voltage Dips : EN61000-4-11, Level 3

Over-Voltage Protection

Output voltage shall not exceed 8V

Over-Current Protection

3A Max

Short-Circuit Protection

Auto recovery and no component damage

Dielectric Withstand (Hi-pot) Test

Pri. to Sec. 3000VAC 10mA for 1 Minute

DC Output Connector

USB Type A

AC Input Clips (sold separately)

RPA – US

RPB – Brazil

RPC – China

RPE – Europe

RPH – Korea

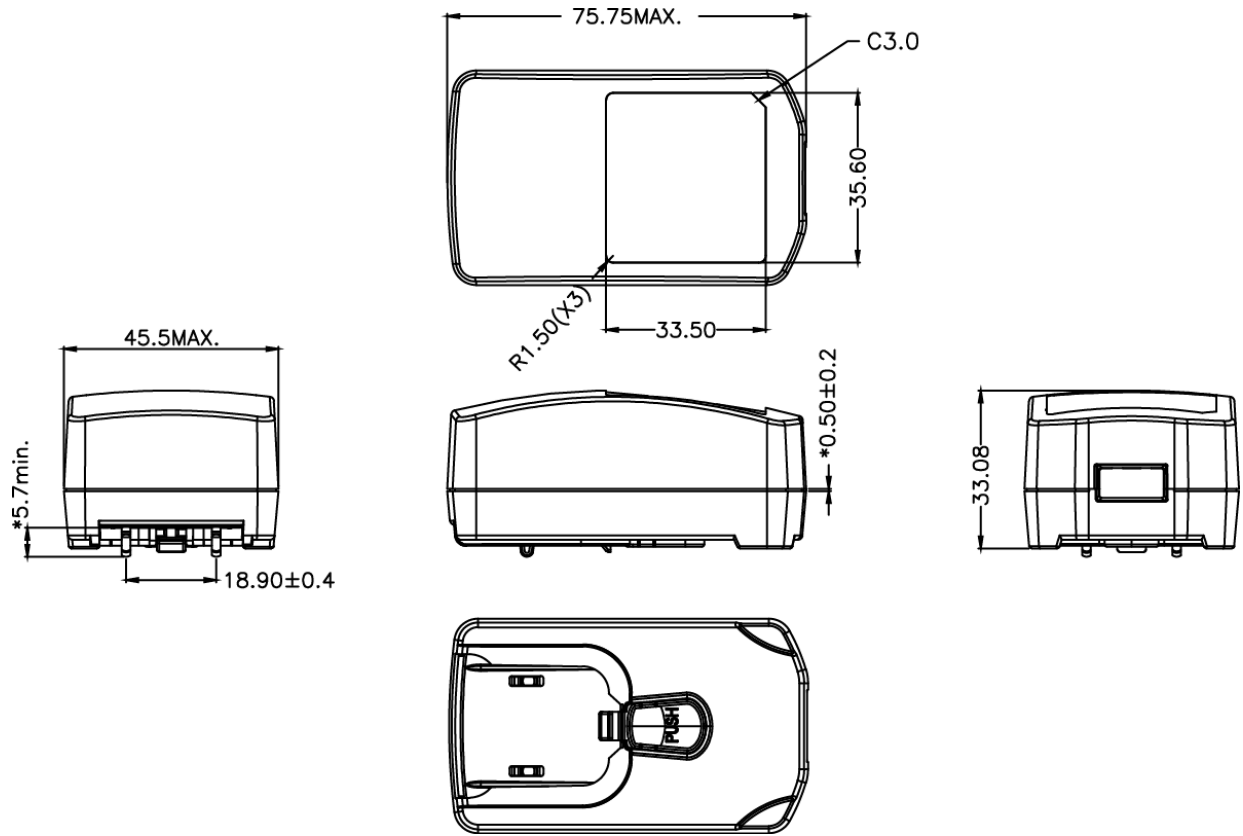
RPI – India

RPK – UK

RPN – Argentina

RPS – Australia

RPX – IEC320 C8



**Supplier's Declaration of Conformity
47 CFR § 2.1077 Compliance Information**

Phihong USA Corporation
47800 Fremont Boulevard
Fremont, CA 94538
Telephone: (510) 445-0100
www.phihong.com

NOTE: This model has/The models in this products series have been tested and found to comply with the limits for a Class B digital device, pursuant to part 15 of the FCC Rules. These limits are designed to provide reasonable protection against harmful interference in a residential installation. This equipment generates, uses and can radiate radio frequency energy and, if not installed and used in accordance with the instructions, may cause harmful interference to radio communications. However, there is no guarantee that interference will not occur in a particular installation. If this equipment does cause harmful interference to radio or television reception, which can be determined by turning the equipment off and on, the user is encouraged to try to correct the interference by one or more of the following measures:

- Reorient or relocate the receiving antenna.
- Increase the separation between the equipment and receiver.
- Connect the equipment into an outlet on a circuit different from that to which the receiver is connected.
- Consult the dealer or an experienced radio/TV technician for help.

Changes or modifications to equipment not expressly approved by PHIHONG could void the user's authority to operate the equipment.