



## Dual-Role, USB Charging-Type Detector Simplifies Host and Client Design

The PI3USB9201 is a dual-role BC 1.2-compliance charging-type detector. It can be programmed to operate in host mode or client mode through I<sup>2</sup>C.

When operating as a host, the PI3USB9201 provides its status as standard downstream port (SDP), charging down-stream port (CDP), or dedicated charging port (DCP) via the USB D+/D- pins in accordance with BC 1.2. When operating as a client, the PI3USB9201 starts BC 1.2 detection to detect the attached host type. In both host mode and client mode, the detection results are reported through I<sup>2</sup>C to the controller.

In USB Type-C<sup>®</sup> connector applications, the PI3USB9201 works with a USB-Type C controller IC to support BC1.2 and USB Type-C charging spec at the same time.

The PI3USB9201 can operate over a temperature range of -40°C to +85°C in the tiny 12-contact QFN 2mm x 2mm package.

*USB Type-C is a registered trademark of USB Implementers Forum*



### DIODES Advantage

#### PI3USB9201 is a dual-role BC 1.2 compliant USB charging-type detector

##### ■ Host Mode-SDP/CDP/DCP

USB device plug-in and unplug detection in SDP/CDP modes, support USB switch pass-through for mouse/keyboard wake up

##### ■ Client Mode USB Charging-Type Detection

Supports battery charging to BC 1.2 SDP/CDP/DCP with proprietary 1A/2A/2.4A modes

##### ■ 1Mhz I<sup>2</sup>C Interface for Control and Communication with Pin Selection for up to four Slave Address

Simple control of PI3USB9201 and supports up to four slave address without I<sup>2</sup>C bus communication conflict

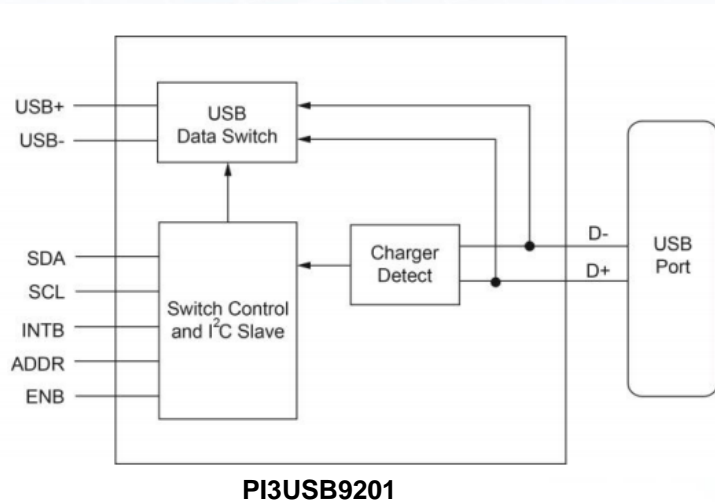
##### ■ Low Power Consumption – 200µA active, <1µA shut-down

Simplifies system power consumption management

### Applications

- Cell phones, PDAs, Laptops, and Other Portable Devices

### Block Diagram



### Portfolio

Part Number	Description	V <sub>DD</sub>	V <sub>SW</sub>	T <sub>A</sub>	Signal Type	Package
PI3USB9201	Dual-Role USB Charging-Type Detector	2.7~5.5V	0~5.5V	-40°C ~ +85°C	Differential	U-QFN2020-12

### Ordering Information

Part Number	Package Code	Package	Reel Size	# per Reel
PI3USB9201ZTAEX	ZTA	12-Pin, 2mm x 2mm UQFN	7"	3000

### Further Information

<https://www.diodes.com/part/PI3USB9201>